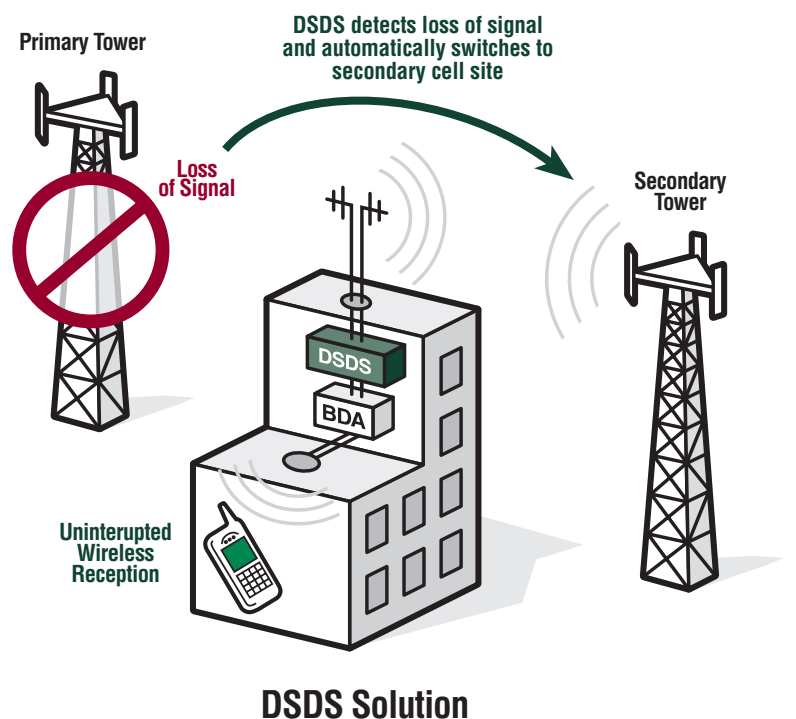
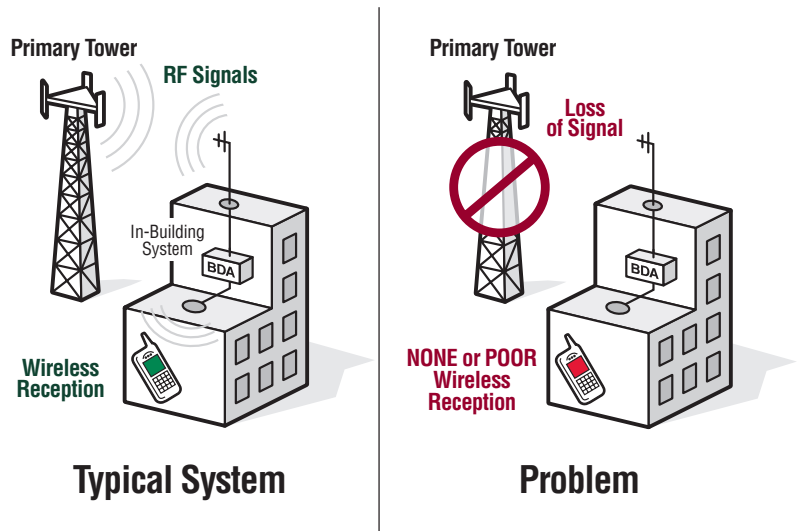


# Donor Site DSDS Diversity System

Improving In-Building RF Enhancement System Reliability

DSDS provides critical up-time reliability for your in-building signal enhancement system. In the event that your primary cell tower temporarily fails or goes offline, DSDS automatically switches your in-building system to a secondary cell tower without interruption of service.

- An essential component when 24/7 in-building communications are required.
- Unique in the industry.
- Continuously monitors the RF signal from the primary cell tower.
- Automatically switches back to your primary cell tower when the signal level is restored.
- Complete with informational display, status lighting, attenuation control and ControlRx software.
- Covers 700 MHz public safety frequencies.



WIRELESS IN-BUILDING SYSTEMS  
DESIGN, INTEGRATION AND  
CONSULTING SERVICES  
[www.mannwireless.com](http://www.mannwireless.com)

# Donor Site **DSDS** Diversity System

## Specifications

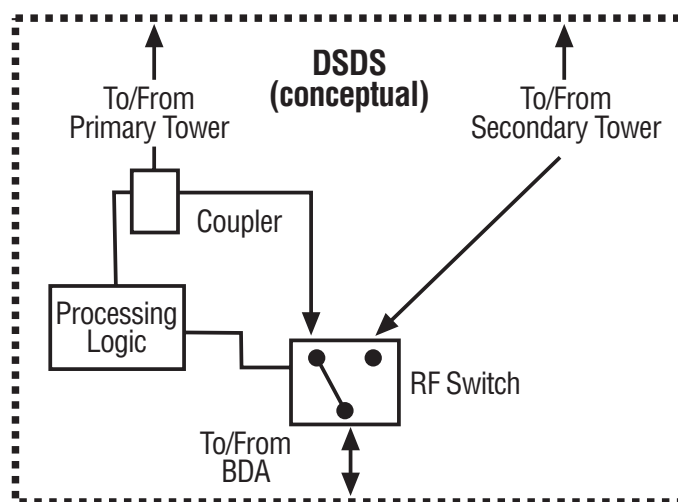
### Physical Specifications

RF Connectors	N-Type (female)
Status Indicators	Primary Donor Site Active, Secondary Donor Site Active, Primary Donor Site Control Channel Power Level, RX Squelch Setting, AC Power.
Programming Interface	RS-232
Interface Connector	DB9 (female)
Variable Attenuator	0-30dB
Enclosure Dimensions	88.9mm x 431.8mm x 330.2mm 3.5" x 17" x 13" (HxWxD) 3.5" x 19" x 13" with mounting h/w Fits Standard 19" Rack Mount 3.5" Height equals 2 Rack Units.
Weight	5.08kg (11.13 lbs)
Temperature Range	-6°C-35°C / 20°F-95°F

### Electrical Specifications

Frequency Ranges	764-776, 794-806, 851-869 MHz
Impedance	50 Ohms
Power	120 VAC
Power Consumption	5 Watts
RF Input (Maximum)	- 3 dBm.
RF Sensitivity	-105 dBm (from 50 ohm source)
RF Squelch Sensitivity	-60 dBm to -110 dBm
Insertion Loss	
Primary Donor Site:	4 dB
Secondary Donor Site:	2 dB
Test Ports	-10dB

U.S. Patent Pending No. 11/030,646



Mann Wireless, Ltd. provides in-building communication enhancement system design, installation, and integration services. In addition, we have developed several product lines supporting unique in-building applications including the Donor Site Diversity System. Mann Wireless is well-known for our high level of professionalism. With extensive industry experience we will work closely with you to create technically proficient, cost-effective solutions.



Mann Wireless, Ltd.  
437 Middle Grove Rd.  
Middle Grove, NY 12850  
(518) 587-2305  
dsds@mannwireless.com